



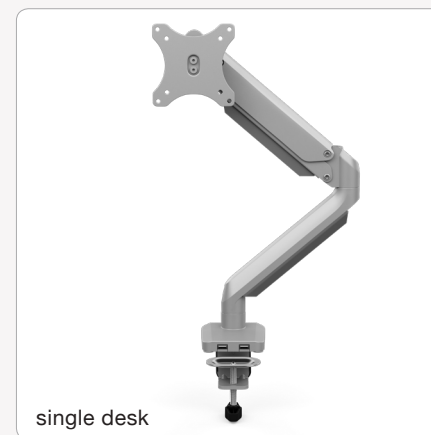
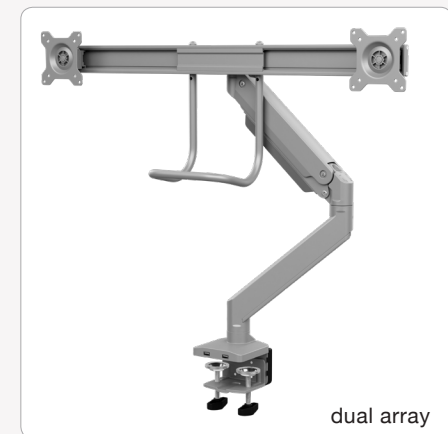
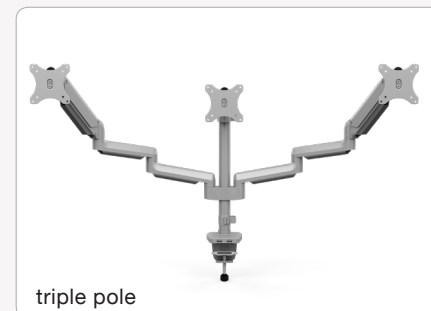
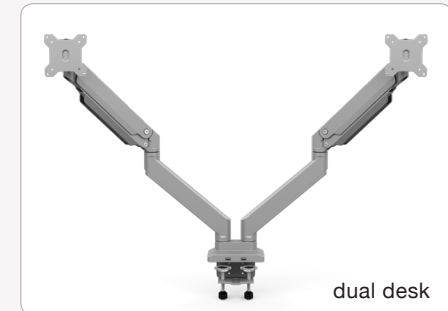
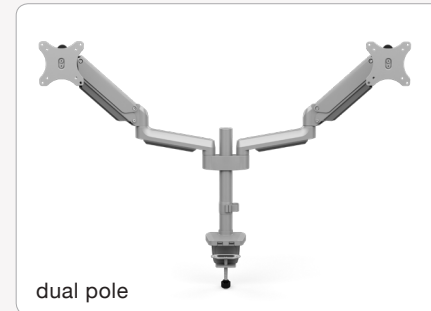
MOBIO
MONITOR ARMS

OUTPERFORM AND OUTLAST

When you're hard at work, you need a workspace that works hard for you. With a wide range of motion and ultra-reliability, Mobio is your go-to solution for a family of monitor arms to maximize your space. Its compact design and die cast aluminum construction mean greater stability, flexibility and unmatched performance.



MOBIO



MOBIO HD

Light-duty monitor arms available in silver or black.
Heavy-duty available in silver only.

Key Features



Screen Rotation

for both landscape and portrait view



Gas Spring Mechanism

for smooth vertical adjustment



Quick-Release VESA Plate

to simplify installation



Built-In Cable Management

for a clutter-free look



Built-In Spring Tension Gauge

for perfect weight adjustment



Added Slots

to hold tools when not in use



Pass-Through USB Ports

to easily charge electronics and transfer data while you work



Optional Laptop Holder

to keep your desk clear

Product Details

- Choose from Mobio arms in single-desk, dual-desk and pole-mount configurations
- Choose from Mobio HD arms in single-desk, dual-desk and dual-array configurations
- Compact aluminum arm design maximizes desktop space
- Die cast aluminum construction ensures stability and performance
- Mobio arms support 3.3 lbs – 17.6 lbs; Mobio HD arms support 2.2 lbs – 33 lbs
- Mobio arms available in silver and black; Mobio HD arms available in silver only
- 12-year warranty

symmetry