

Step 1: Remove kit from the box. The kit includes frame&columns assembly, two feet, two end brackets, hardware pack, power cord, memory keypad.

Step 2: Insert the end brackets at the end of the frame.

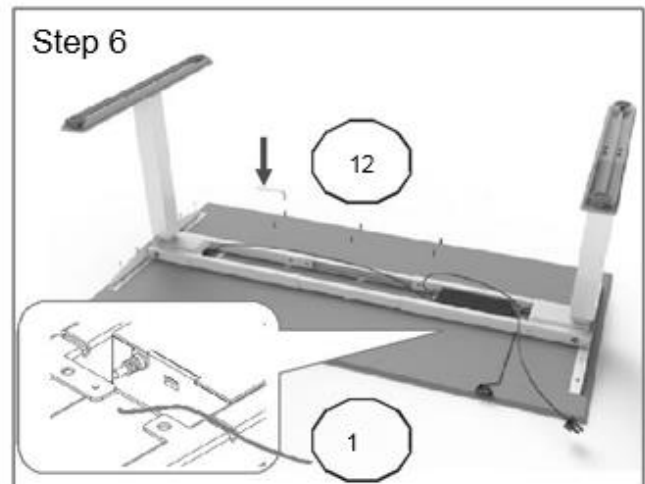
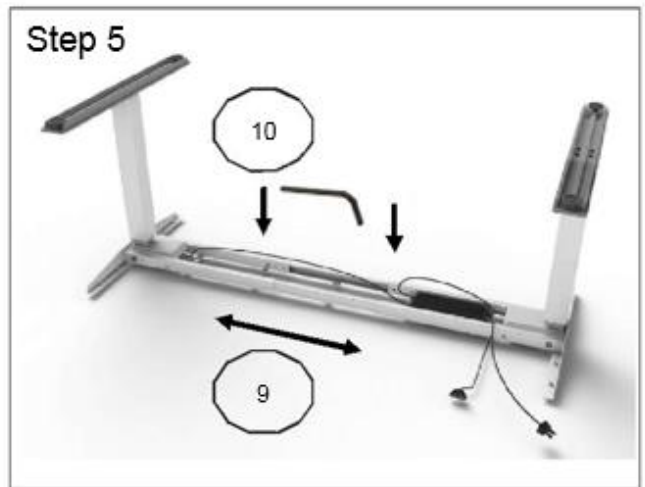
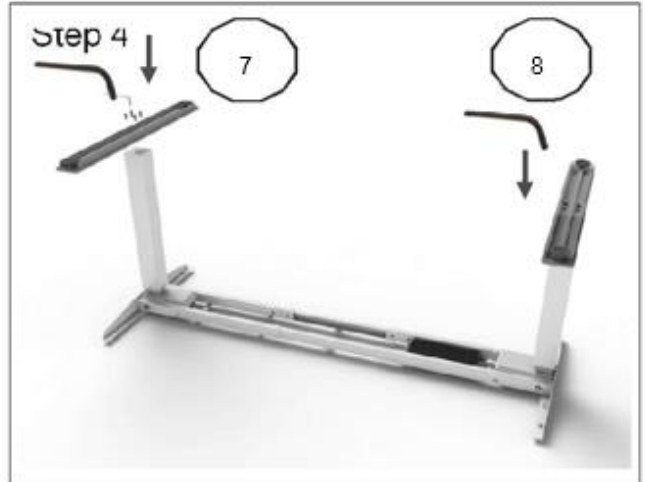
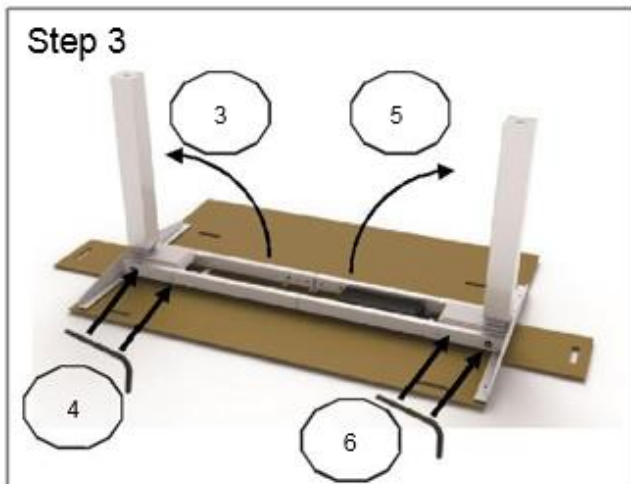
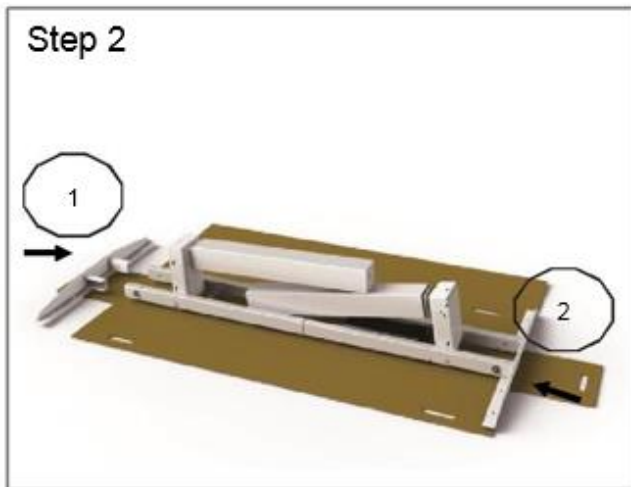
Step 3: Rotate the columns in upright position. Lock the 4 bolts (already attached) that secure the motor housing for each of the column using the allen wrench supplied with the hardware pack.

Step 4: Attach and lock the feet with 4 bolts each (bolts already in position) using the supplied allen wrench

Step 5: Place the frame assembly over the underside of the table top. Extend the frame to the desired length. Tighten the telescoping frame after extending it.

Step 6: Attach the frame assembly to the top using the supplied wood screws that go in the holes provisioned with a rubber gasket. Attach the memory keypad to the front of the top with the two smaller wood screws provided. Attach the power cord. Tuck all excess cords in the frame. Flip the table to the normal position and reset it before the first use.

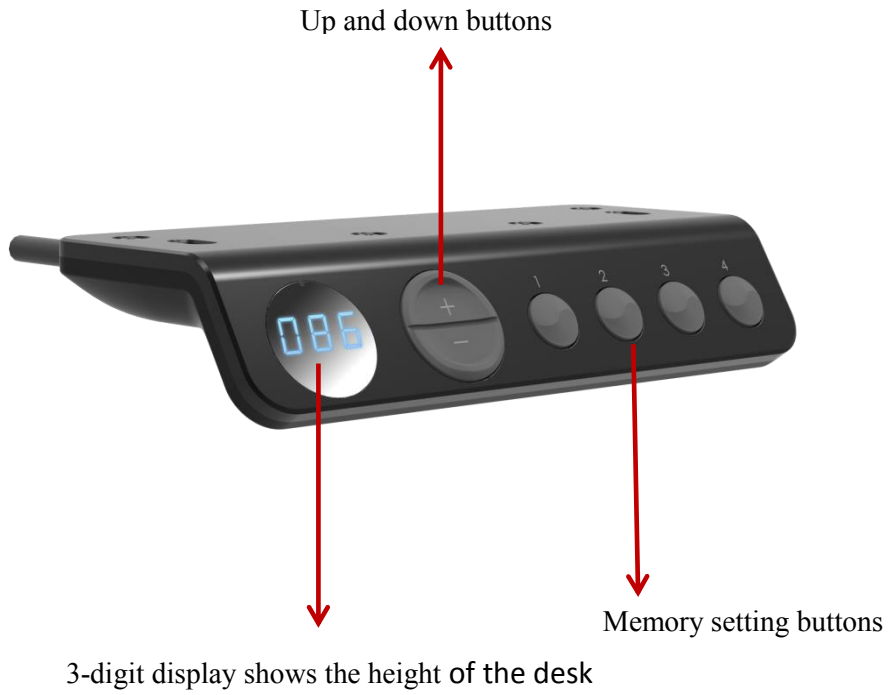
Resetting the table: Press the up & down buttons at the same time for 3 seconds. Continue pressing until the columns are in the lowest position. When finished resetting, the control box will make a sound and the buttons can be released. Now the system is operational.



Contents

Contents	2
1. User Interface Guide	3
2. Reset.....	4
3. Adjusting the Height.....	5
4. Setting the Memorized Position.....	5
5. Setting the upper and lower height limit	6
6. Presetting the Desk Starting Height.....	7
7. Switching Metric and Imperial Unit	8
8. Error Codes.....	9
9. Power Saving Function - Waking up the Control.....	9

1. User Interface Guide



2. Reset

1. Simultaneously press + and – for 3 seconds. Continue pressing the buttons until both columns are in lowest position. When finishing reset, the control box makes a beep sound and the buttons can be released.



Reminders:

- When conducting reset, the display shows “E00” in last 5mm stroke.
- When finishing reset, the display shows starting height.
- Users must conduct reset when the desk is operated at the first time.

3. Adjusting the Height

Press + or – button until the desk reaches the preferred height.

4. Setting the Memorized Position

TDH14P supports at most 4 memory positions.

How to memorize position:

1. Adjust the desk to the desired height.
2. Press the preferred memory button (1 ,2 ,3 or 4), with either + or – for 2 seconds. Once the display shows P1 or P2 or P3 or P4, the position is memorized.
3. Press and hold button 1, 2, 3 or 4 to move the desk to memorized position.



5. Setting the upper and lower height limit

A. Setting upper height limit:

- (1) Adjust the desk to the preferred height of upper limit.
- (2) Press + and – buttons together and then release – button within 3 seconds. (Note1)
- (3) Re-press – for more than 3 times in a slow pace.
- (4) A beeping sound will notify you that the process has completed.

B. Disable upper limit of height:

- (1) Move the desk to the height of upper limit that is being set.
- (2) Repeat the operation above #2~5 to disable the upper limit setting.

C. Setting lower height limit:

- (1) Adjust the desk to the preferred height of lower limit.
- (2) Press + and – buttons together and then release + button within 3 seconds. (Note 1)
- (3) Re-press + for more than 3 times in a slow pace.
- (4) A beeping sound will notify you that the process has completed.

D. Disable lower limit of height:

- (1) Move the desk to the height of lower limit that is being set.
- (2) Repeat the operation above #2~5 to disable the lower limit setting.

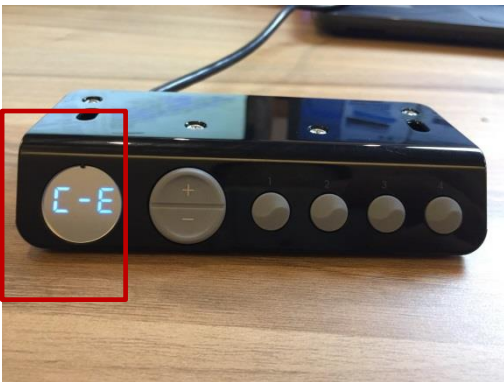
Note 1: Over 3 seconds will direct to “Reset” mode.

6. Presetting the Desk Starting Height

- (1) Press – button until the desk reaches its lowest position and then release – button.
- (2) Re-press – button again for 5 seconds and the digital display will start to flash.
- (3) Adjust the starting height number with + or – button. Release + or – button as reaching the preferred starting height.
- (4) After 10 seconds, the display will stop flashing and this will confirm that you have successfully set the starting height.

7. Switching Metric and Imperial Unit

- (1) Press memory button **1**, **2** and **4** for 5 seconds.
- (2) The digital display will show “**C-I**” or “**C-E**”. (as below image) If there is no further instruction operated within 5 seconds, the system will go to the normal operation mode.



- How to choose metric unit

Press the button #2, the digital display will show “**C**” to stand for centimeter.



- How to choose imperial unit

Press the button #3, the digital display will show “**E**” or “**I**” to stand for inch.



8. Error Codes

The digital display shows the error code below to suggest the issues that users may encounter during the operation.

Error code	Descriptions
000	Resetting
E00	Not reset completely
E01	Overuse protection
E02	Unbalance protection
E03	Anti-collision
E04	T-touch Protection
E11	M1 Motor over-current protection
E12	M2 Motor over-current protection
E13	M3 Motor over-current protection
E21	No Hall sensor from M1
E22	No Hall sensor from M2
E23	No Hall sensor from M3
E31	No current from M1
E32	No current from M2
E33	No current from M3

9. Power Saving Function - Waking up the Control

- When no button has been pressed for 25 seconds, display goes off. Press any button to light up the display again.
- When no button has been pressed for 30 seconds, the system goes to <0.1W standby mode ([note 2](#)). Long press any button to wake the system up. The digital display will show desk height again.

[Note 2](#): It depends on the control box whether it support 0.1W standby mode or not.