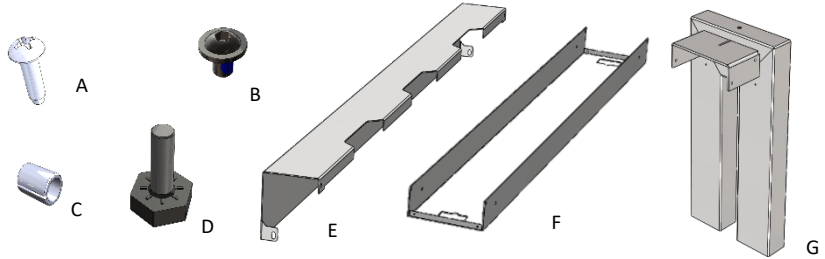
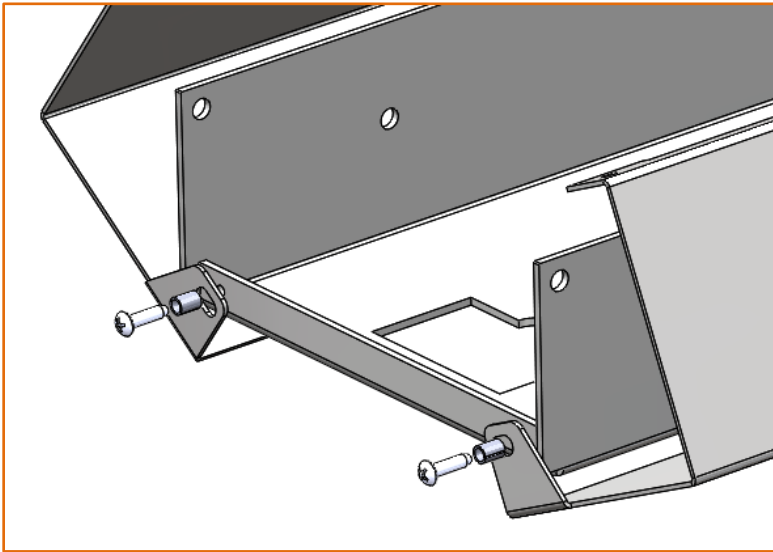


PARTS INCLUDED:

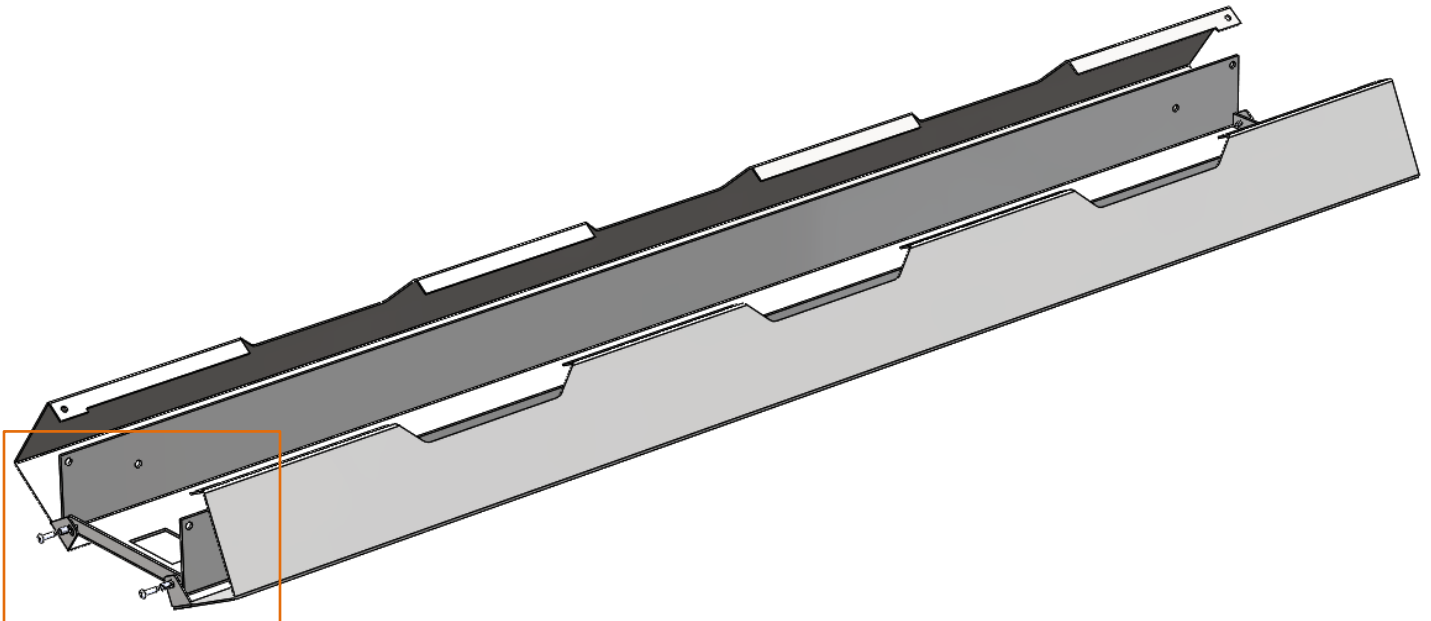
- (A) (4) #8-32 x 5/8" Long Self Tapping screw
- (B) (8) M6X1X8MM WASHER HEAD CAP SCREW
- (C) (4) SLOTTED SPACER
- (D) (4) GLIDE
- (E) (2) COVER
- (F) (1) WIRE TRAY
- (G) (2) U-LEG



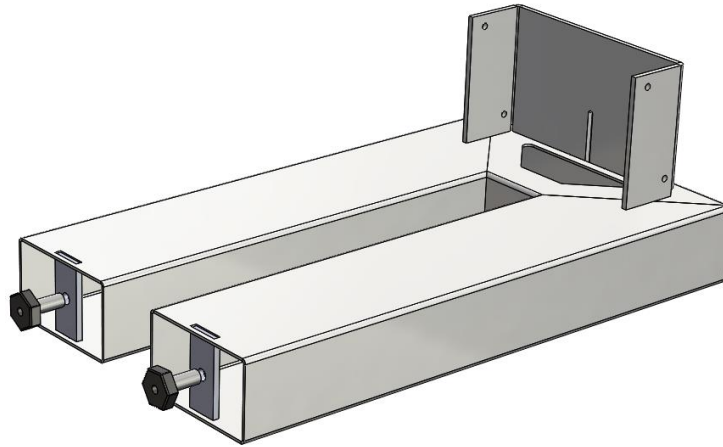
STEP 1 – ATTACH FLIP COVERS TO TRAY:



SLIDE THE SLOTTED SPACER OVER THE #8 SELF TAPPING SCREW. INSTALL THE SELF TAPPING SCREW THROUGH THE COVER SLOT AND INTO THE CABLE TRAY FLANGE. REPEAT FOR THE 3 REMAINING SPACERS AND SCREWS.



STEP 2 – INSTALL THE GLIDES:



STEP 3 – INSTALL THE LEG ASSEMBLIES ONTO THE TRAY ASSEMBLY:

INSTALL THE M6 SCREW THROUGH THE CABLE TRAY AND INTO THE U-LEG GUSSET. **TIP: DO NOT TIGHTEN THE SCREWS UNTIL ALL SCREWS HAVE BEEN STARTED.**

