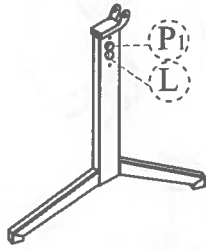
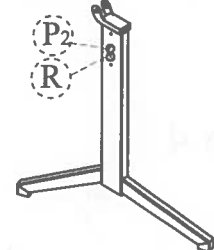


symmetry
OFFICE FLIPT-OCA

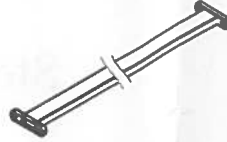
P1 L
X 1



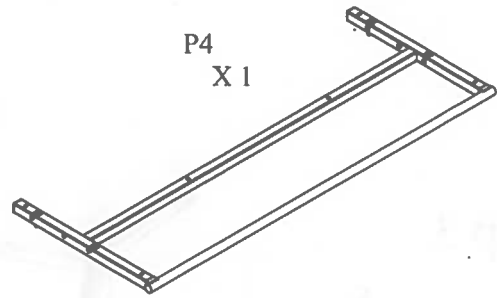
P2 R
X 1



P3
X 1



P4
X 1



A



X 2

B



X 2

C



X 4

D



X 4

E



X 6

F



X 4

G



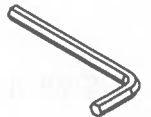
X 2

H



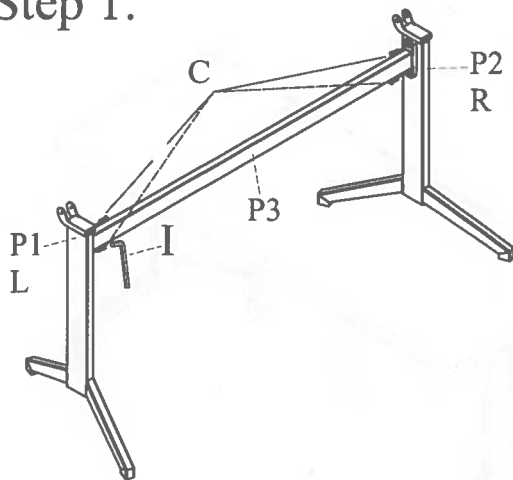
X 1

I

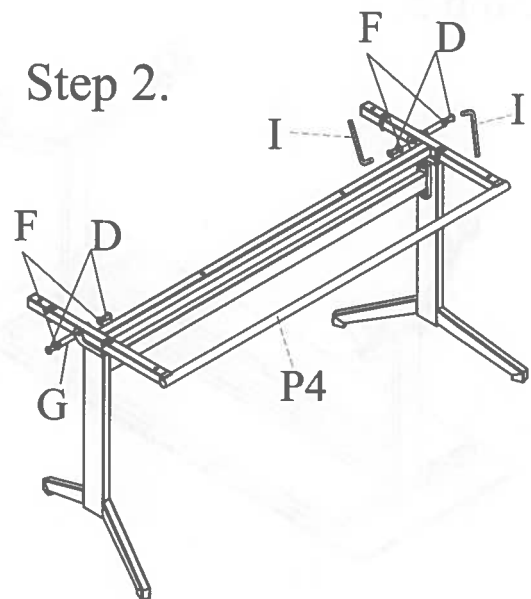


X 2

Step 1.



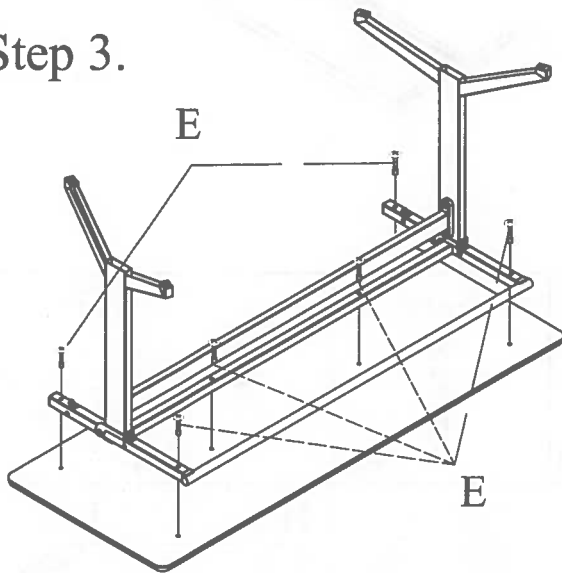
Step 2.



STEP 1: Attach left and right legs to middle support with (4) C hex bolts

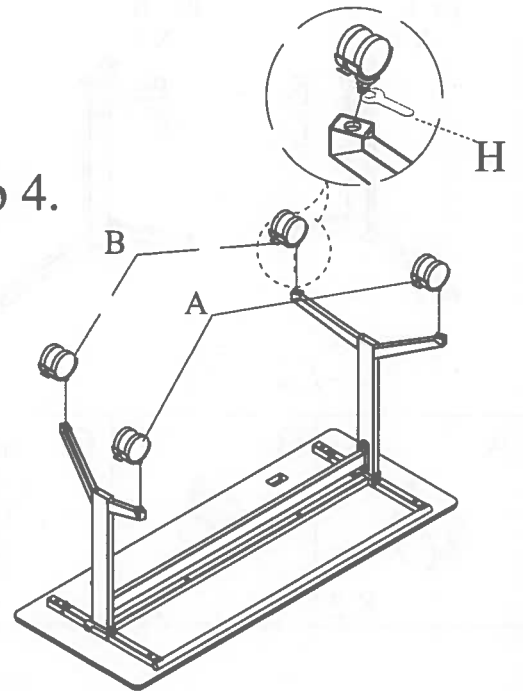
STEP 2: Attach flip top release mechanism to legs with (F), (D), and (G).

Step 3.



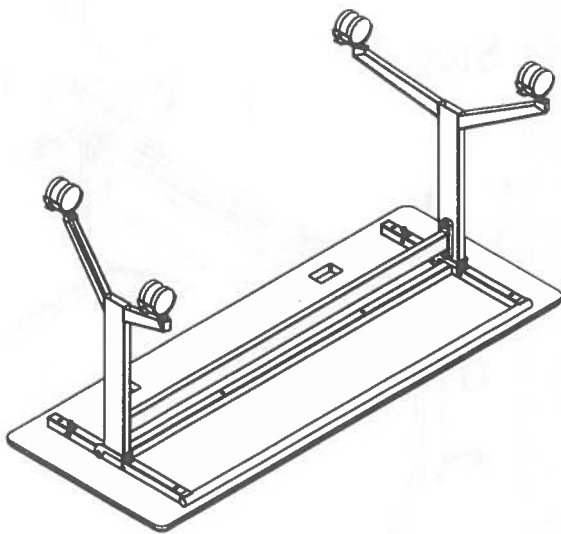
STEP 3: Attach top to base with (6) E Screws

Step 4.



STEP 4: Attach (4) casters to feet and tighten.

Step 5.



STEP 5: Tighten all bolts and screws.

Step 6.



STEP 6: Flip table upright.