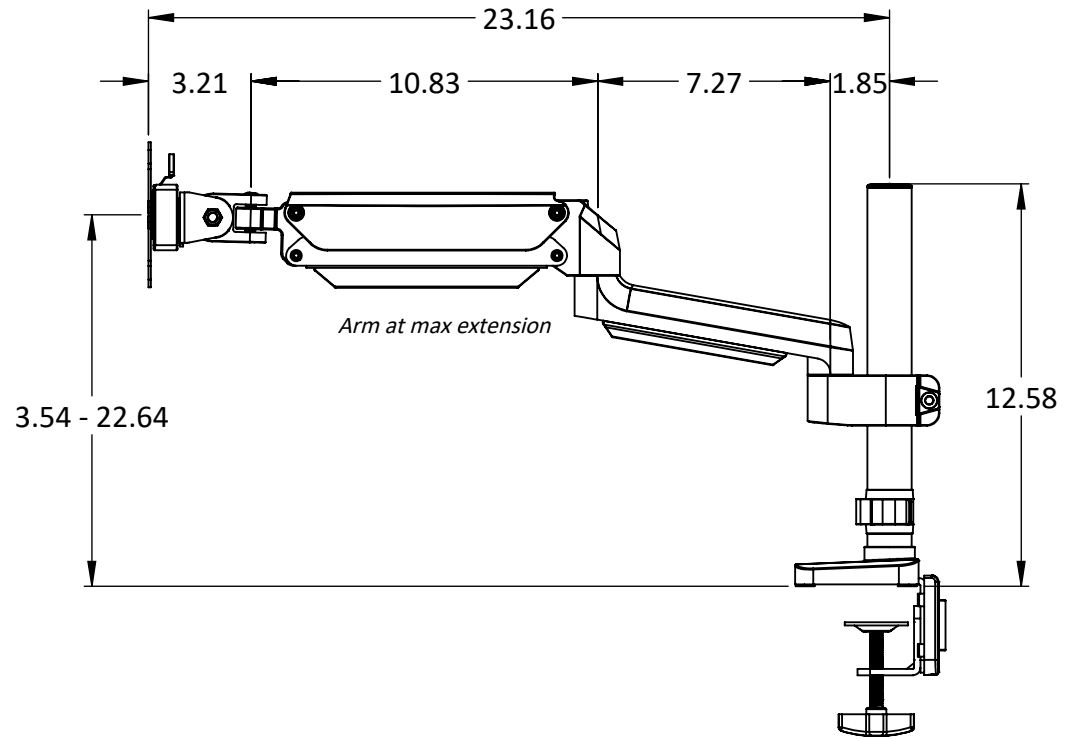
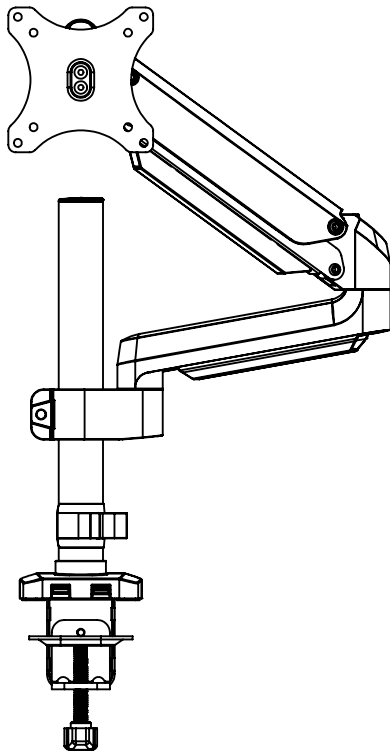


VESA compatibility	75mm, 100mm
Supported monitor sizes (diagonal)	17" - 32"
Weight capacity (per monitor)	3.3 lbs - 17.6 lbs
Table top thickness	0.39" - 2.17"



DWG TITLE	MA_Mobio_Light Duty, Pole Mount, Single
DESCRIPTION	Monitor Arms, Mobio, Light Duty, Pole Mount, Single

REV	-	PROPRIETARY AND CONFIDENTIAL THE INFORMATION CONTAINED IN THIS DRAWING IS THE SOLE PROPERTY OF SYMMETRY OFFICE. ANY REPRODUCTION IN PART OR AS A WHOLE WITHOUT THE WRITTEN PERMISSION OF SYMMETRY OFFICE IS PROHIBITED.
SIZE	A	

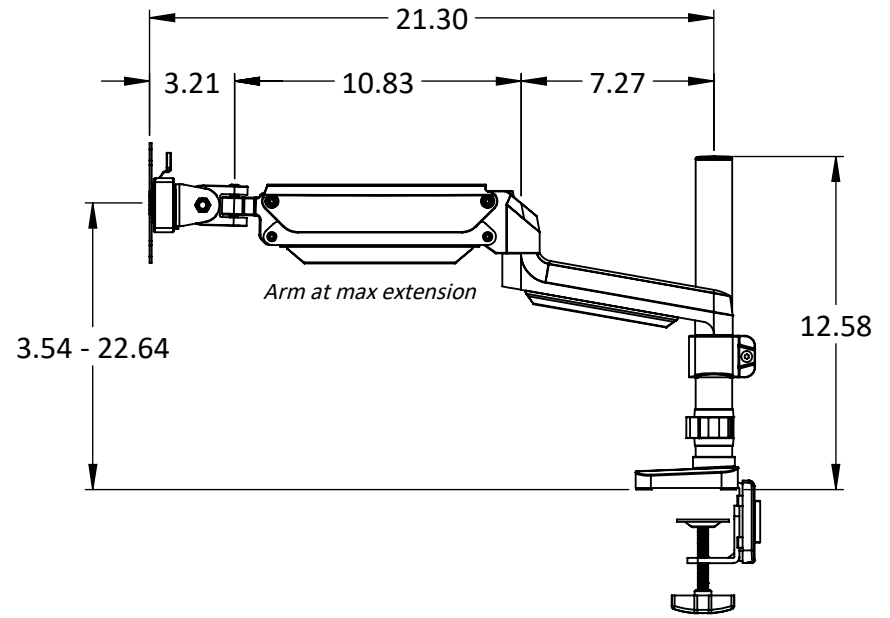
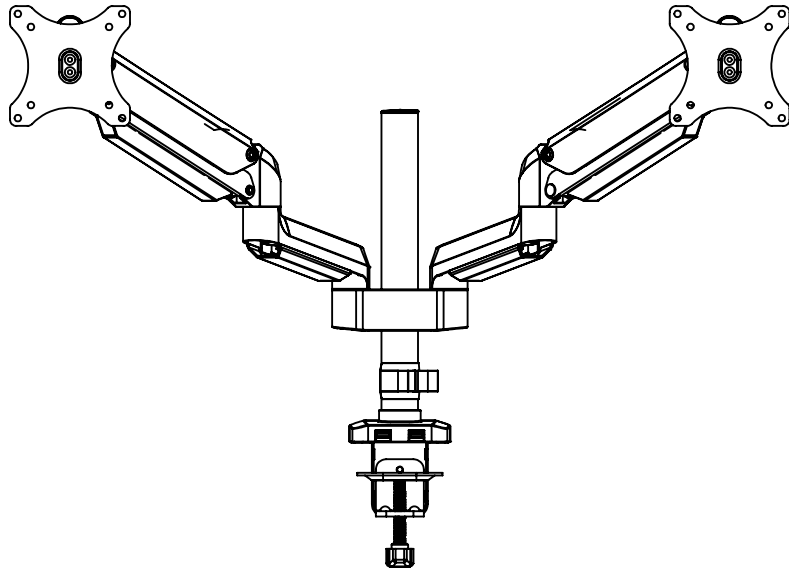
2

1

VESA compatibility	75mm, 100mm
Supported monitor sizes (diagonal)	17" - 32"
Weight capacity (per monitor)	3.3 lbs - 17.6 lbs
Table top thickness	0.39" - 2.17"

B

B



A

A



DWG TITLE	MA_Mobio_Light Duty, Pole Mount, Dual
DESCRIPTION	Monitor Arms, Mobio, Light Duty, Pole Mount, Dual

REV	-
SIZE	A

PROPRIETARY AND CONFIDENTIAL
 THE INFORMATION CONTAINED IN THIS
 DRAWING IS THE SOLE PROPERTY OF
 SYMMETRY OFFICE. ANY REPRODUCTION
 IN PART OR AS A WHOLE WITHOUT THE
 WRITTEN PERMISSION OF SYMMETRY
 OFFICE IS PROHIBITED.

2

1

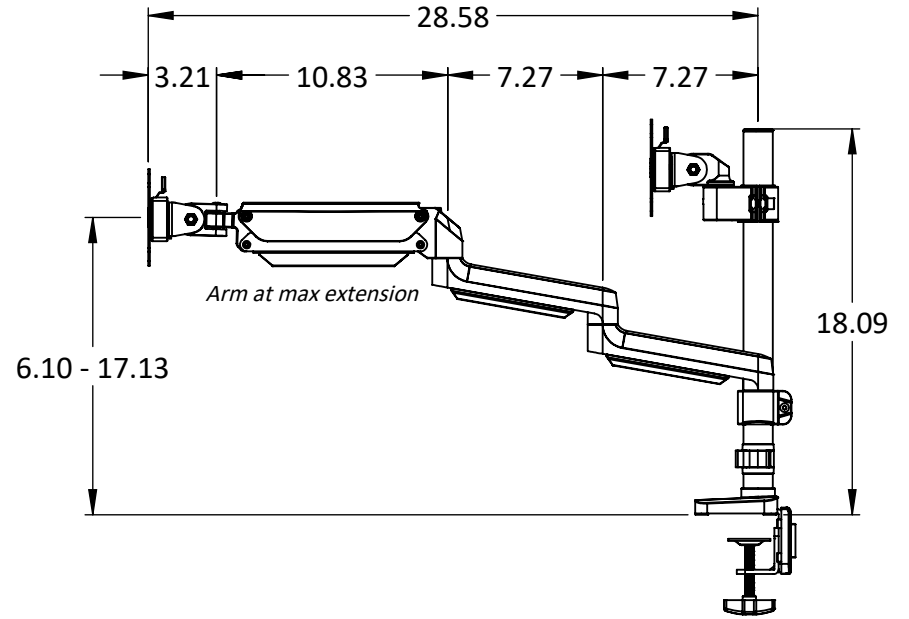
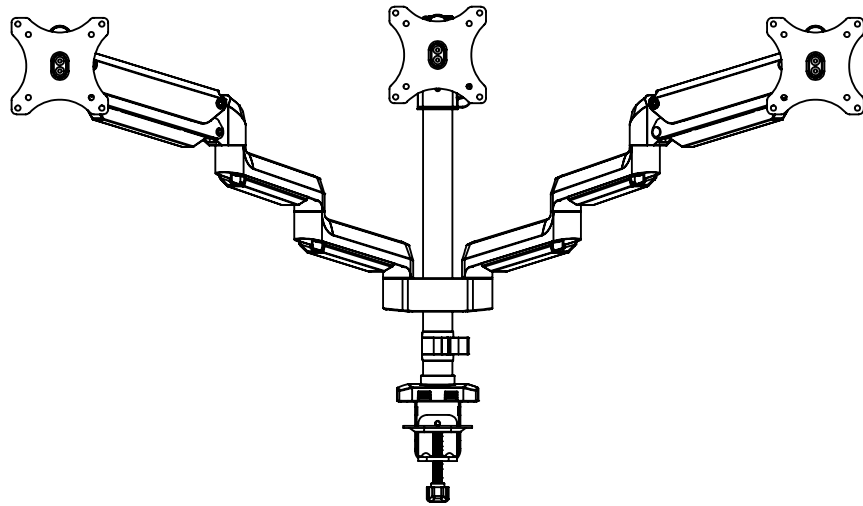
2

1

VESA compatibility	75mm, 100mm
Supported monitor sizes (diagonal)	17" - 27"
Weight capacity (per monitor)	3.3 lbs - 15.4 lbs
Table top thickness	0.39" - 2.17"

B

B



A

A



DWG TITLE

MA_Mobio_Light Duty, Pole Mount, Triple

DESCRIPTION

Monitor Arms, Mobio, Light Duty, Pole Mount, Triple

REV

-

SIZE

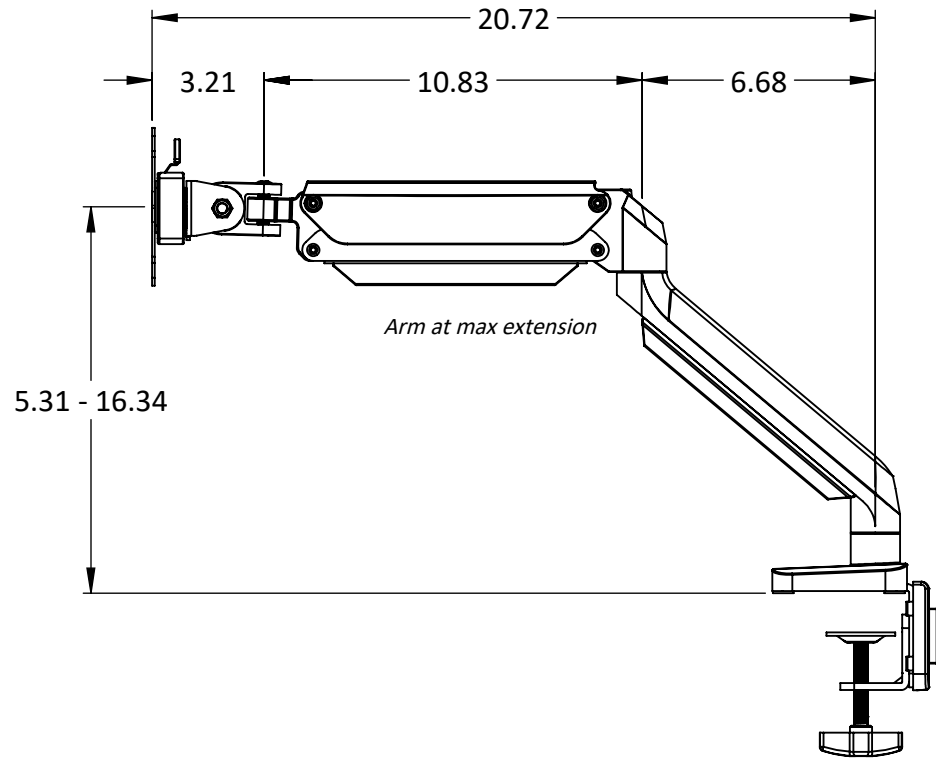
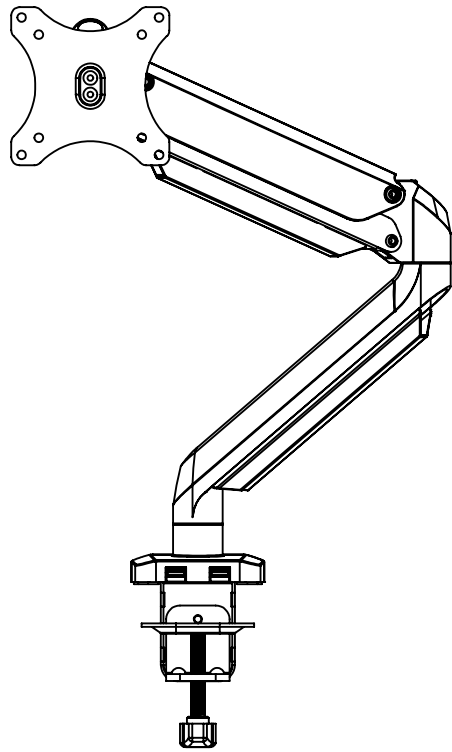
A

PROPRIETARY AND CONFIDENTIAL
 THE INFORMATION CONTAINED IN THIS
 DRAWING IS THE SOLE PROPERTY OF
 SYMMETRY OFFICE. ANY REPRODUCTION
 IN PART OR AS A WHOLE WITHOUT THE
 WRITTEN PERMISSION OF SYMMETRY
 OFFICE IS PROHIBITED.

2

1

VESA compatibility	75mm, 100mm
Supported monitor sizes (diagonal)	17" - 32"
Weight capacity (per monitor)	3.3 lbs - 17.6 lbs
Table top thickness	0.39" - 2.17"



DWG TITLE

MA_Mobio_Light Duty, Desk Mount, Single

REV

-

DESCRIPTION

Monitor Arms, Mobio, Light Duty, Desk Mount, Single

SIZE

A

PROPRIETARY AND CONFIDENTIAL
 THE INFORMATION CONTAINED IN THIS
 DRAWING IS THE SOLE PROPERTY OF
 SYMMETRY OFFICE. ANY REPRODUCTION
 IN PART OR AS A WHOLE WITHOUT THE
 WRITTEN PERMISSION OF SYMMETRY
 OFFICE IS PROHIBITED.

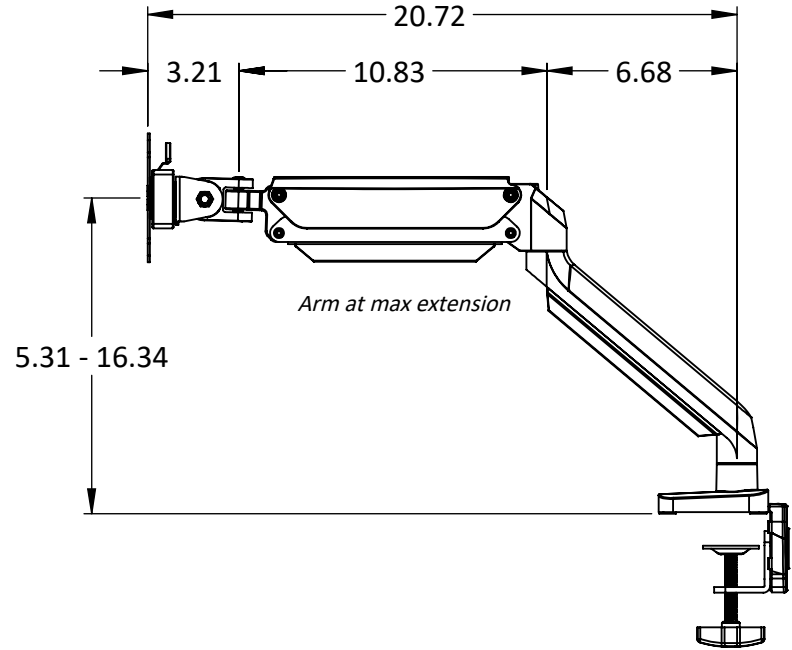
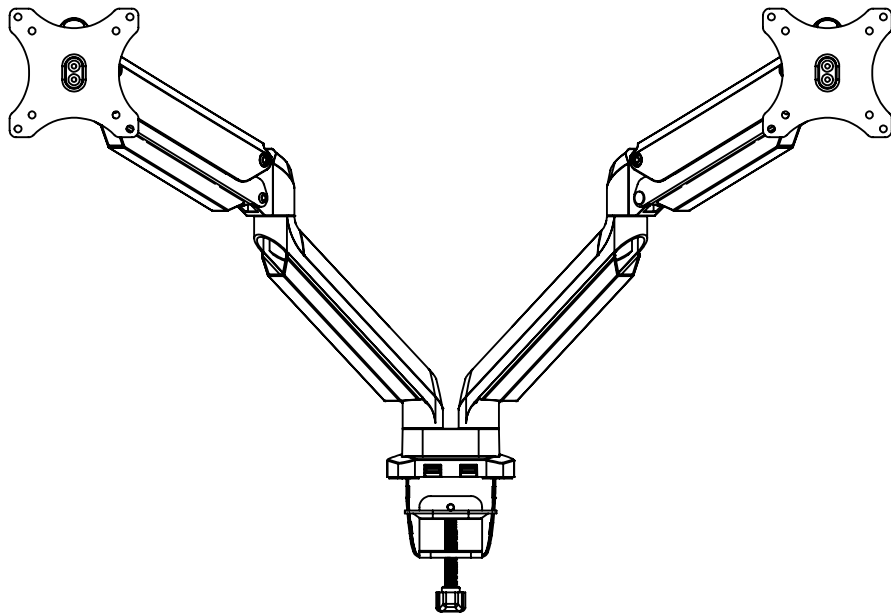
2

1

VESA compatibility	75mm, 100mm
Supported monitor sizes (diagonal)	17" - 32"
Weight capacity (per monitor)	3.3 lbs - 17.6 lbs
Table top thickness	0.39" - 2.17"

B

B



A

A



DWG TITLE

MA_Mobio_Light Duty, Desk Mount, Dual

REV

-

DESCRIPTION

Monitor Arms, Mobio, Light Duty, Desk Mount, Dual

SIZE

A

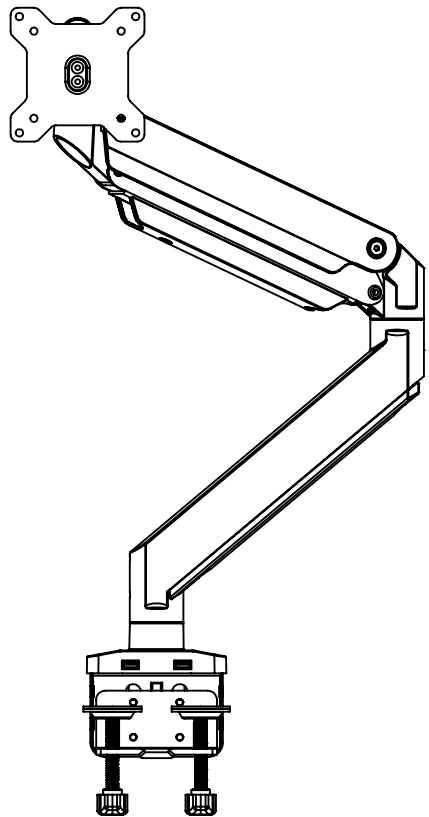
PROPRIETARY AND CONFIDENTIAL
 THE INFORMATION CONTAINED IN THIS DRAWING IS THE SOLE PROPERTY OF SYMMETRY OFFICE. ANY REPRODUCTION IN PART OR AS A WHOLE WITHOUT THE WRITTEN PERMISSION OF SYMMETRY OFFICE IS PROHIBITED.

2

1

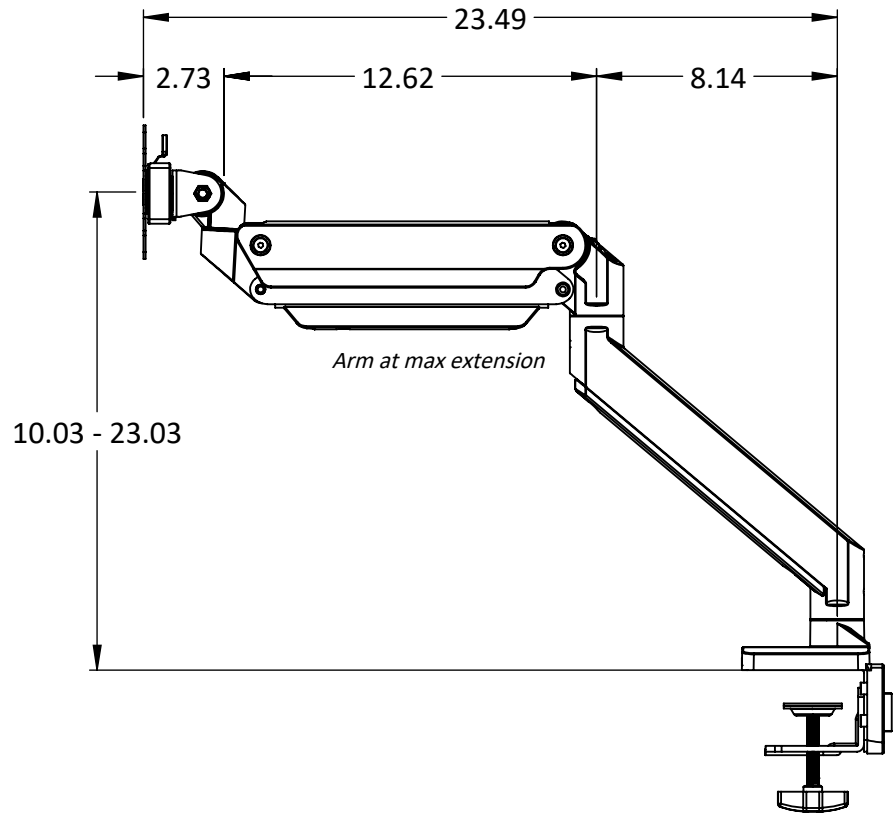
VESA compatibility	75mm, 100mm
Supported monitor sizes (diagonal)	17" - 35"
Weight capacity (per monitor)	2.2 lbs - 33 lbs
Table top thickness	0.39" - 2.04"

B



A

1



B

A



DWG TITLE

MA_Mobio_Heavy Duty, Desk Mount, Single

DESCRIPTION

Monitor Arms, Mobio, Heavy Duty, Desk Mount, Single

REV

-

SIZE

A

PROPRIETARY AND CONFIDENTIAL
 THE INFORMATION CONTAINED IN THIS
 DRAWING IS THE SOLE PROPERTY OF
 SYMMETRY OFFICE. ANY REPRODUCTION
 IN PART OR AS A WHOLE WITHOUT THE
 WRITTEN PERMISSION OF SYMMETRY
 OFFICE IS PROHIBITED.

2

1

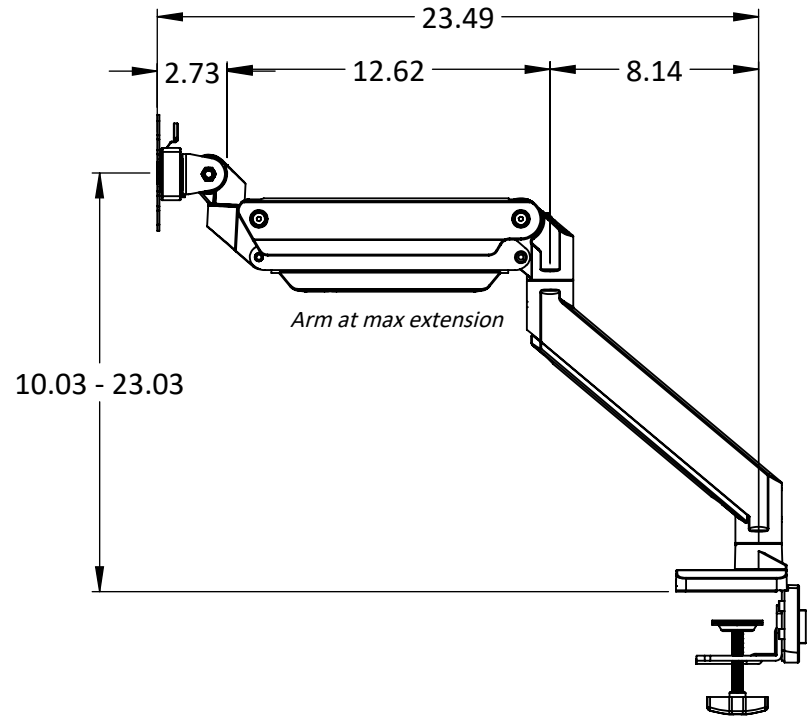
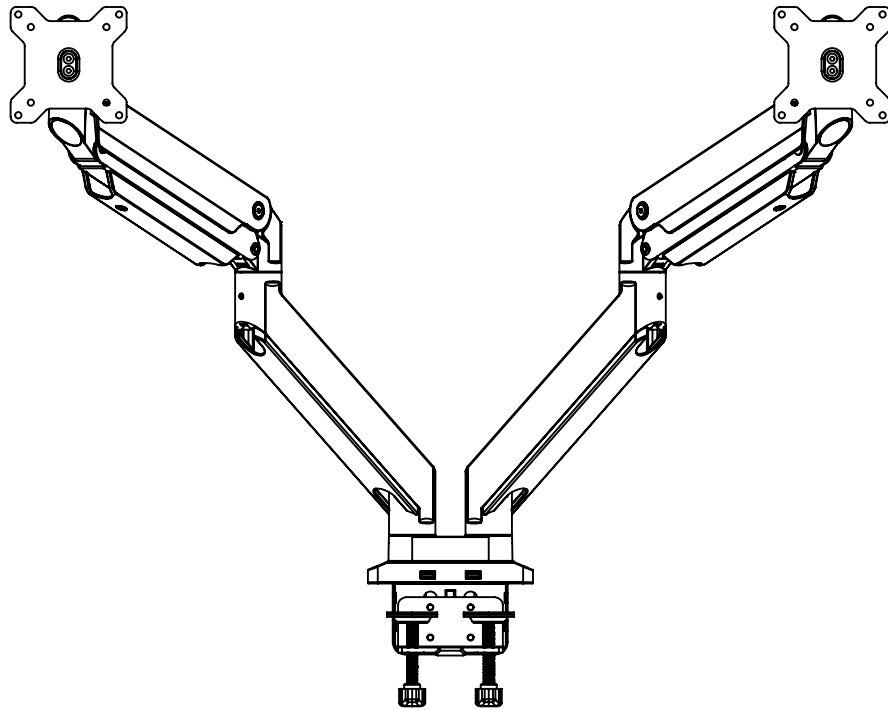
2

1

VESA compatibility	75mm, 100mm
Supported monitor sizes (diagonal)	17" - 35"
Weight capacity (per monitor)	2.2 lbs - 33 lbs
Table top thickness	0.39" - 2.04"

B

B



A

A



DWG TITLE	MA_Mobio_Heavy Duty, Desk Mount, Dual
DESCRIPTION	Monitor Arms, Mobio, Heavy Duty, Desk Mount, Dual

REV	-	PROPRIETARY AND CONFIDENTIAL THE INFORMATION CONTAINED IN THIS DRAWING IS THE SOLE PROPERTY OF SYMMETRY OFFICE. ANY REPRODUCTION IN PART OR AS A WHOLE WITHOUT THE WRITTEN PERMISSION OF SYMMETRY OFFICE IS PROHIBITED.
SIZE	A	

2

1

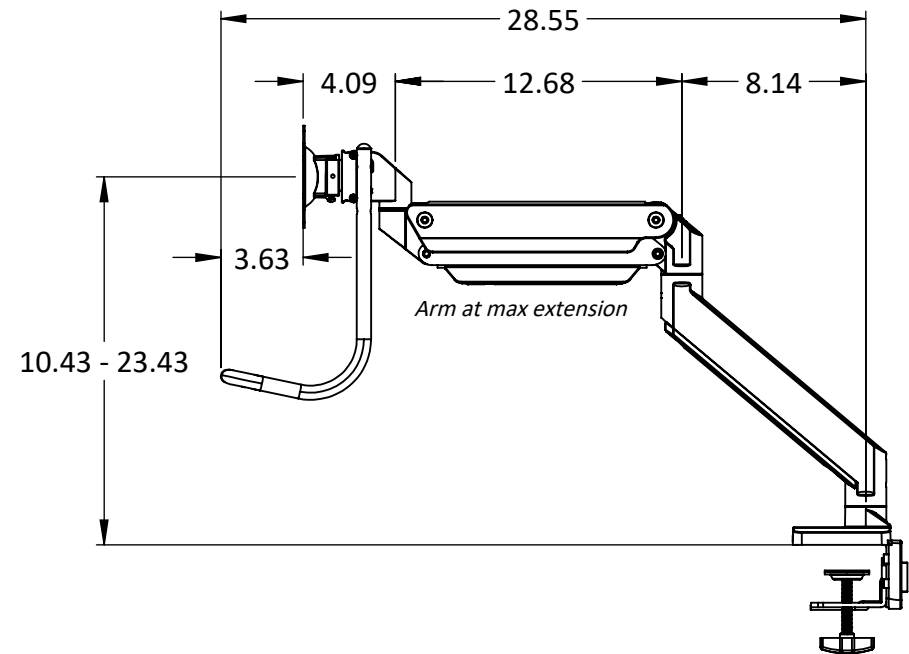
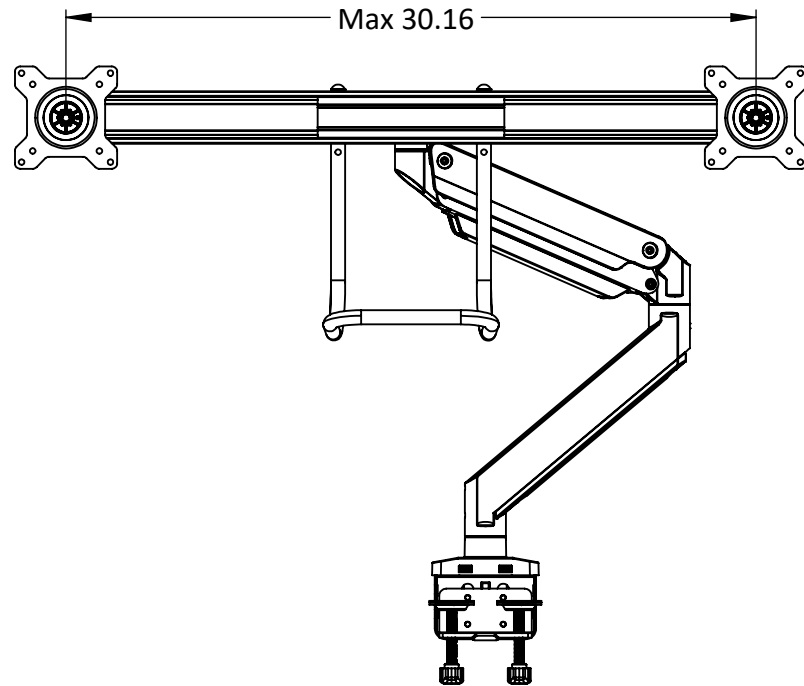
2

1

VESA compatibility	75mm, 100mm
Supported monitor sizes (diagonal)	17" - 32"
Weight capacity (per monitor)	2.2 lbs - 17.6 lbs
Table top thickness	0.39" - 2.04"

B

B



A

A



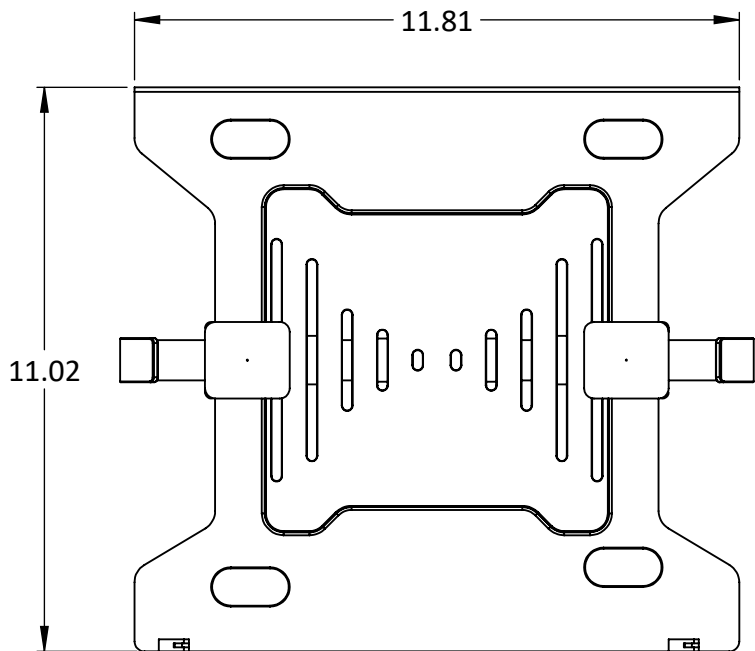
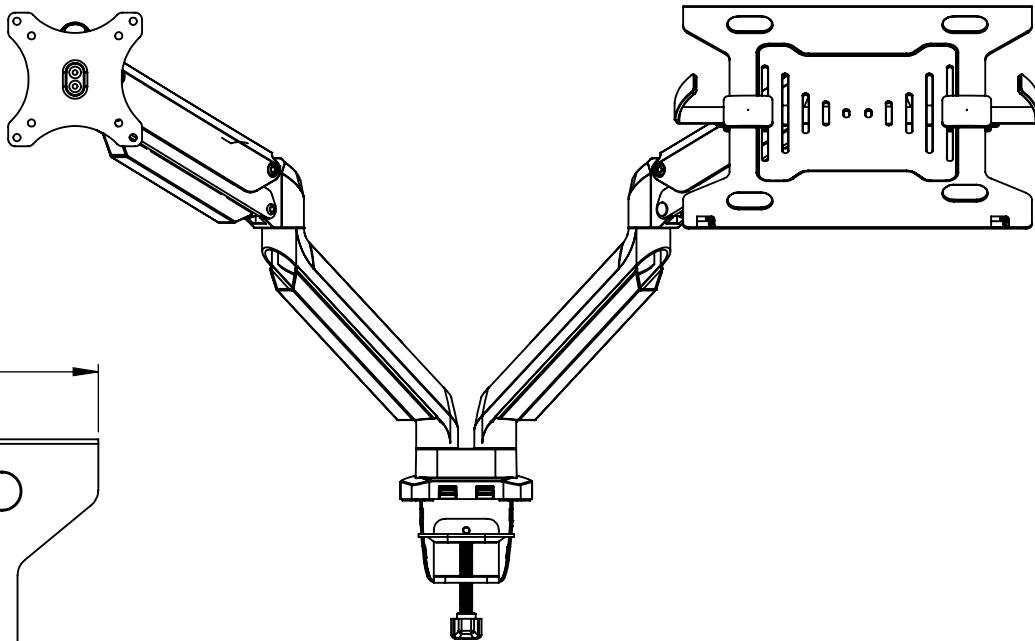
DWG TITLE	MA_Mobio_Heavy Duty, Desk Mount, Dual Array
DESCRIPTION	Monitor Arms, Mobio, Heavy Duty, Desk Mount, Dual Array

REV	-	PROPRIETARY AND CONFIDENTIAL THE INFORMATION CONTAINED IN THIS DRAWING IS THE SOLE PROPERTY OF SYMMETRY OFFICE. ANY REPRODUCTION IN PART OR AS A WHOLE WITHOUT THE WRITTEN PERMISSION OF SYMMETRY OFFICE IS PROHIBITED.
SIZE	A	

2

1

VESA compatibility	75mm, 100mm
Supported laptop size	10.0" - 15.6"
Color/Finish	Matte black, powder coat
Material	Heavy duty steel, plastic



- Width adjustability to accommodate a variety of device sizes and shapes
- Vented tray design to increase air circulation



DWG TITLE

MA_Mobio_Laptop Tray

REV

-

DESCRIPTION

Monitor Arms, Mobio, Laptop Tray

SIZE

A

PROPRIETARY AND CONFIDENTIAL
 THE INFORMATION CONTAINED IN THIS
 DRAWING IS THE SOLE PROPERTY OF
 SYMMETRY OFFICE. ANY REPRODUCTION
 IN PART OR AS A WHOLE WITHOUT THE
 WRITTEN PERMISSION OF SYMMETRY
 OFFICE IS PROHIBITED.