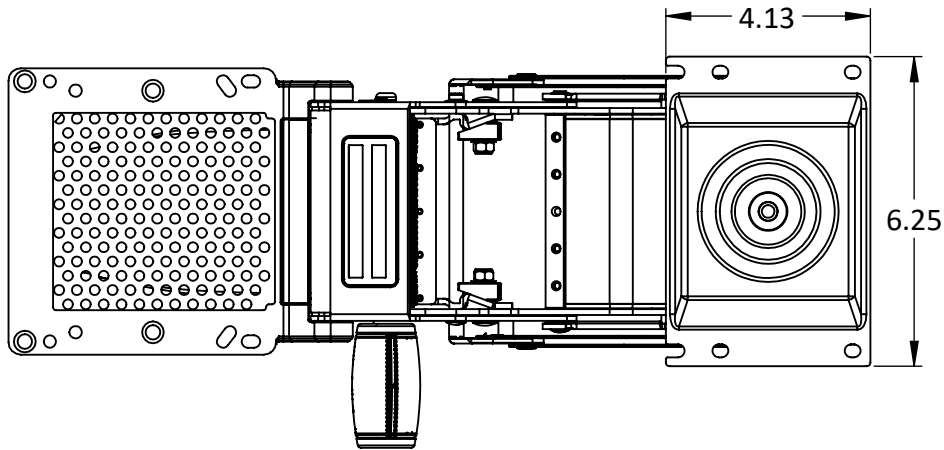


2

1

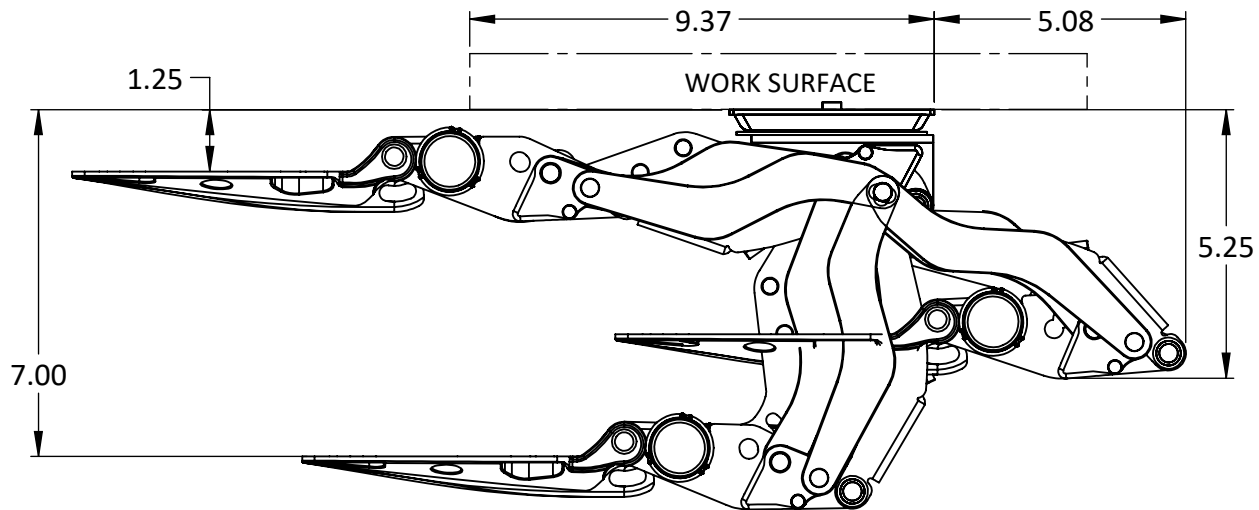
B

B



A

A



DWG TITLE

KP_Mechanism_Mini Trackless

REV

-

DESCRIPTION

Keyboard Products, Mechanism, Mini Trackless

SIZE

A

PROPRIETARY AND CONFIDENTIAL
 THE INFORMATION CONTAINED IN THIS
 DRAWING IS THE SOLE PROPERTY OF
 SYMMETRY OFFICE. ANY REPRODUCTION
 IN PART OR AS A WHOLE WITHOUT THE
 WRITTEN PERMISSION OF SYMMETRY
 OFFICE IS PROHIBITED.

2

1