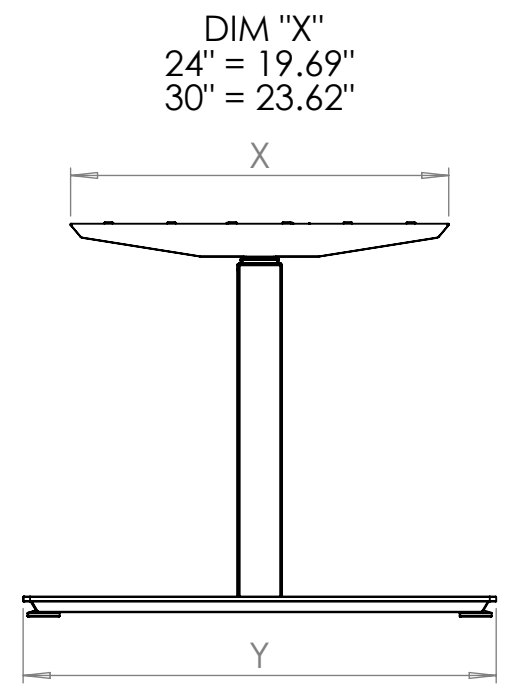
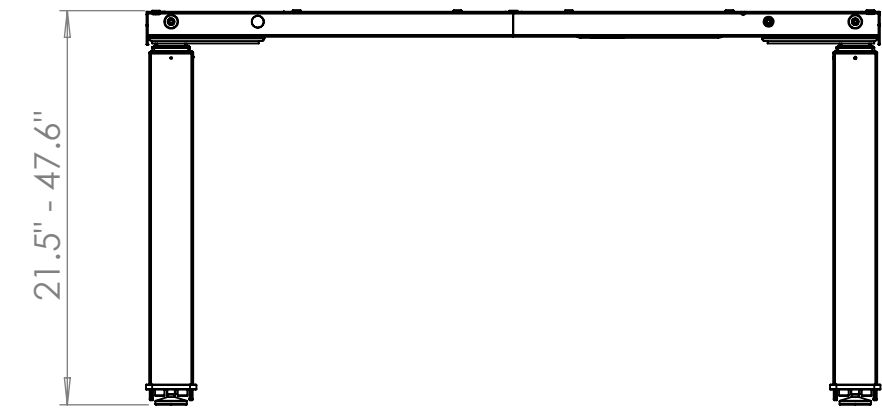
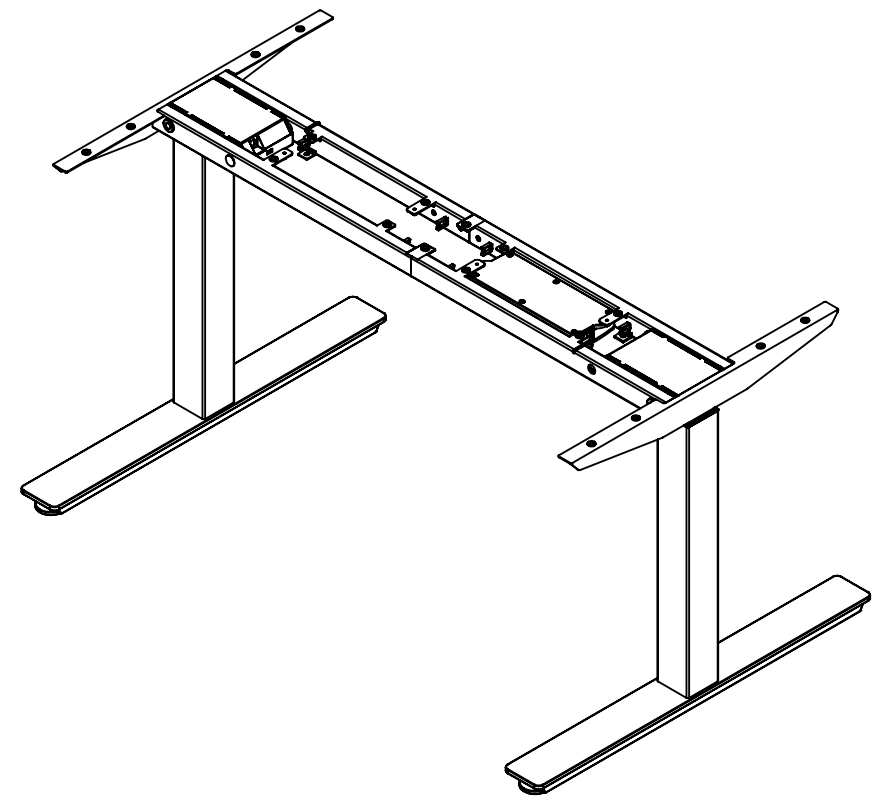
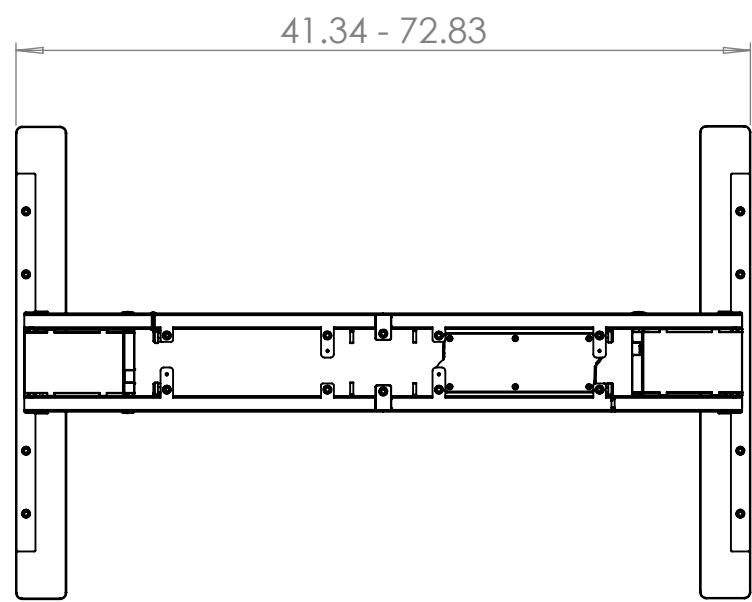


4

3

2

1



Additional Info.
 220lb weight capacity
 39db sound rating
 38mm/second lift speed



TITLE: TableSpecs

INTERPRET GEOMETRIC TOLERANCING PER:
 MATERIAL
 FINISH

PROPRIETARY AND CONFIDENTIAL
 THE INFORMATION CONTAINED IN THIS DRAWING IS THE SOLE PROPERTY OF SYMMETRY OFFICE. ANY REPRODUCTION IN PART OR AS A WHOLE WITHOUT THE WRITTEN PERMISSION OF SYMMETRY OFFICE IS PROHIBITED.

SIZE	DWG. NO.	REV
B		

4

3

2

1

B

B

A

A