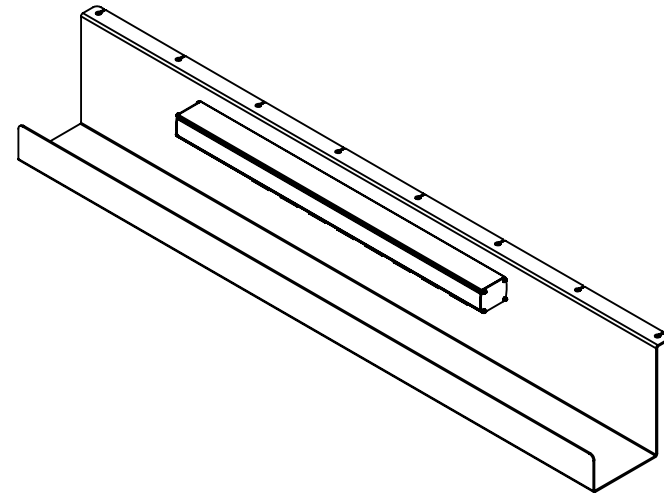
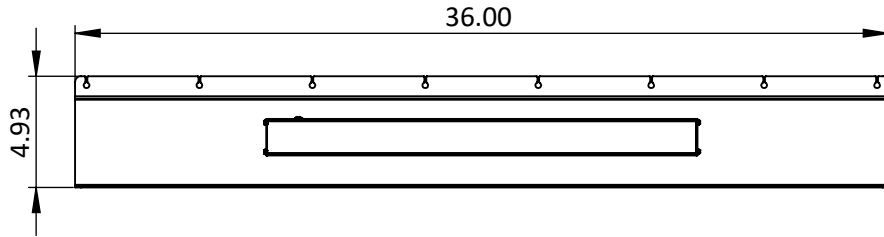


2

1

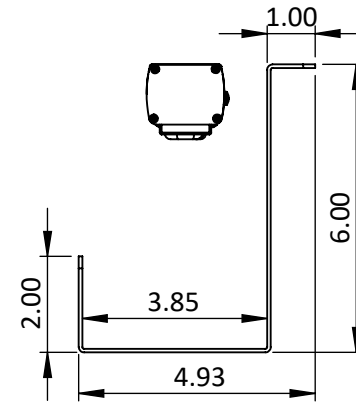
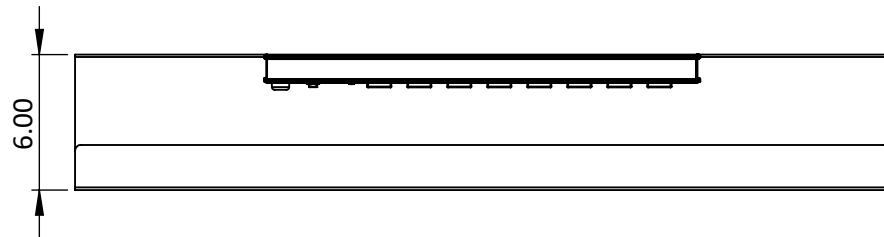
B

B



A

A



DWG TITLE

PA_J Chan - Power Strip

REV

-

DESCRIPTION

Power Accessories, J Chan - Power Strip

SIZE

A

PROPRIETARY AND CONFIDENTIAL
 THE INFORMATION CONTAINED IN THIS
 DRAWING IS THE SOLE PROPERTY OF
 SYMMETRY OFFICE. ANY REPRODUCTION
 IN PART OR AS A WHOLE WITHOUT THE
 WRITTEN PERMISSION OF SYMMETRY
 OFFICE IS PROHIBITED.

2

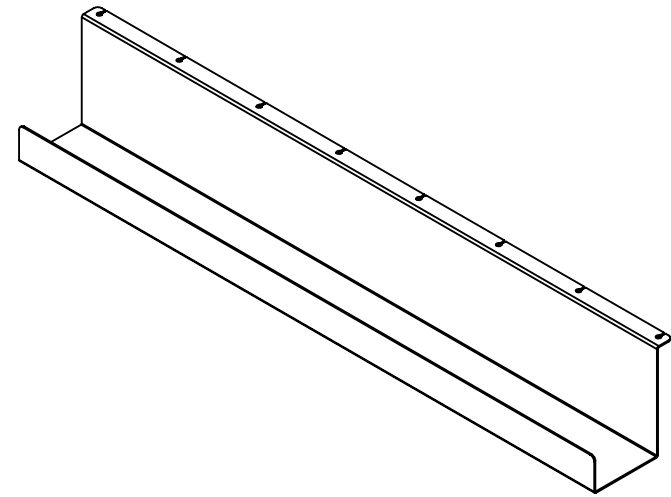
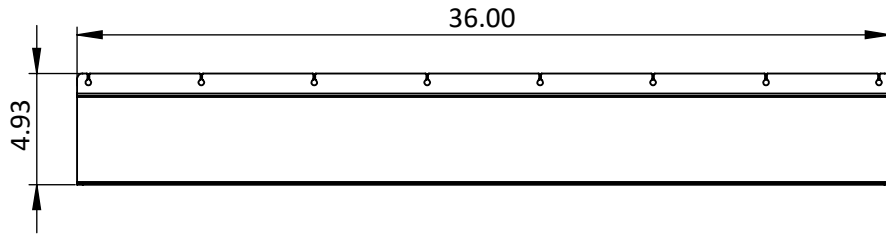
1

2

1

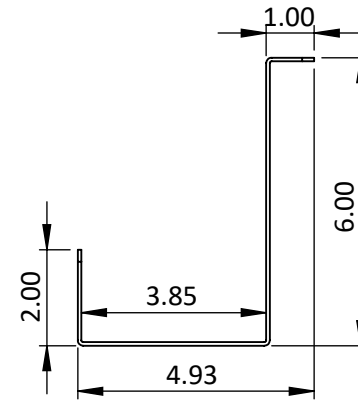
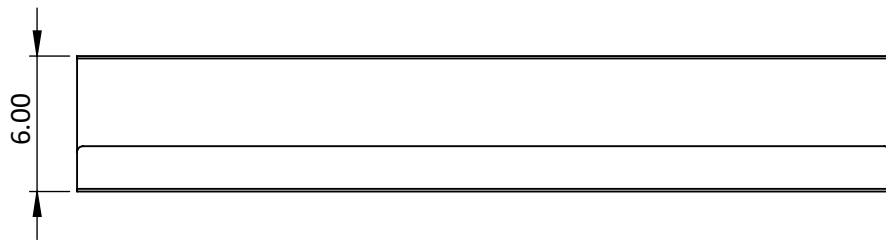
B

B



A

A



DWG TITLE

WM_J Chan

REV

-

DESCRIPTION

Wire Management, J Chan

SIZE

A

PROPRIETARY AND CONFIDENTIAL
 THE INFORMATION CONTAINED IN THIS DRAWING IS THE SOLE PROPERTY OF SYMMETRY OFFICE. ANY REPRODUCTION IN PART OR AS A WHOLE WITHOUT THE WRITTEN PERMISSION OF SYMMETRY OFFICE IS PROHIBITED.

2

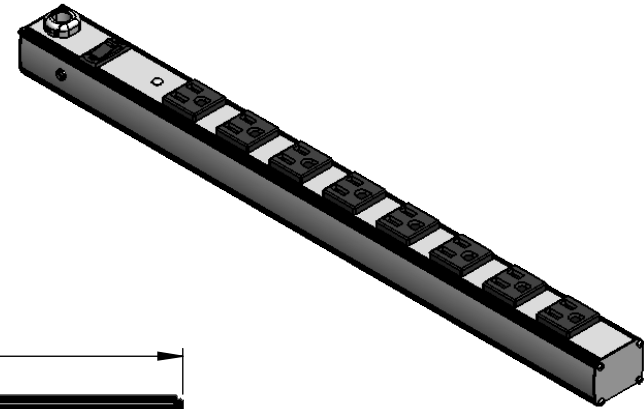
1

2

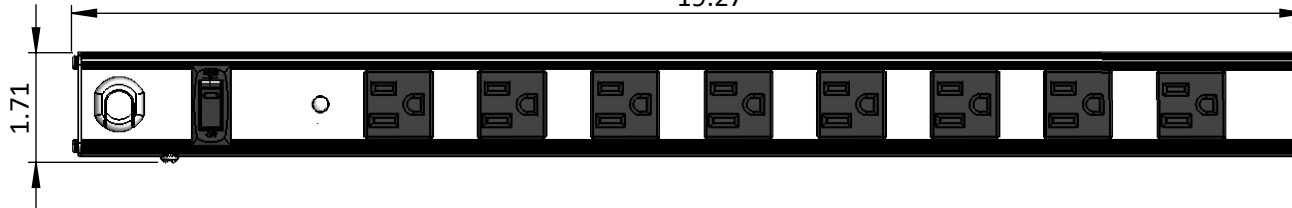
1

B

B



19.27



- 8 outlets - 15 amp, 125 volt
- Surge protection - 450 Joules
- Built-in circuit breaker
- 8 foot power cord

A

A



DWG TITLE	PA_Power Strip	REV	-
DESCRIPTION	Power Accessories, Power Strip	SIZE	A

PROPRIETARY AND CONFIDENTIAL
 THE INFORMATION CONTAINED IN THIS DRAWING IS THE SOLE PROPERTY OF SYMMETRY OFFICE. ANY REPRODUCTION IN PART OR AS A WHOLE WITHOUT THE WRITTEN PERMISSION OF SYMMETRY OFFICE IS PROHIBITED.

2

1